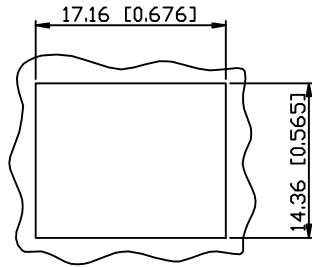
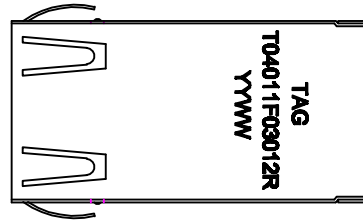


1. MECHANICAL DIMENSIONS :

REV.	CHANGGE DESCRIPTION	DATE
A	New Issue	2016-1-16



RECOMMENDED
PANEL CUTOUT DIMENSION



NOTES:

1. MATERIALS:

HOUSING: PBT POLYESTER, UL94V-0, BLACK

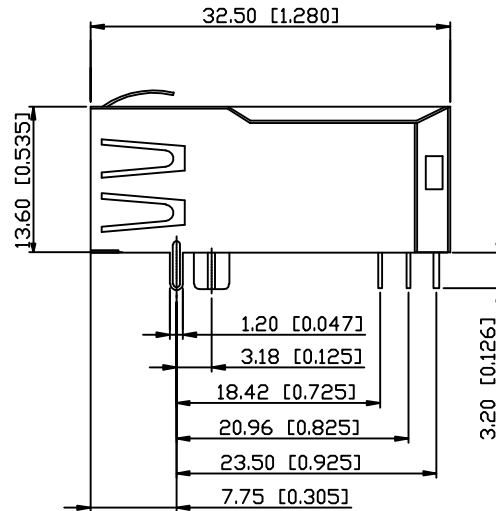
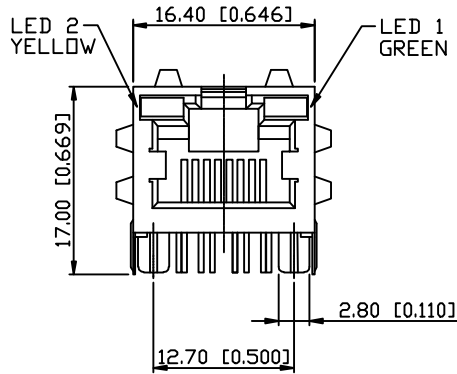
CONTACTS: 0.35mm THICK PHOS-BRONZE PLATED WITH 6u" GOLD AND TIN IN SOLDER AREA.

SHIELD: 0.25mm THICK COPPER ALLOY, PLATED WITH NICKEL.

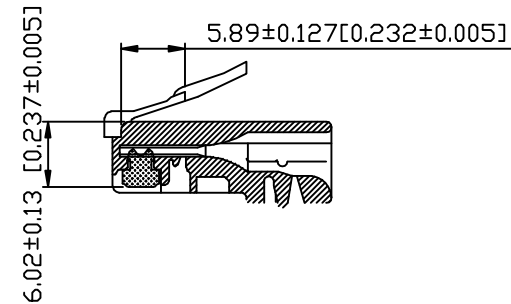
2. OPERATING TEMPERATURE: -40°C TO +85°C

3. CAVITY CONFORMS TO FCC RULES AND REGULATIONS PART 68, SUBPART F.

4. UNSPECIFIED TOLERANCE: .XX ±0.25 [0.010] .X ±0.30 [0.012]



RECOMMENED PLUG DIMENSION:



RoHS Compliant

EKO Tech Co., Ltd.

A4
SIZE

TAG PART NO.:
T04-011-F03-012R

VENDOR PART NO.:

Drawn: Rita

Designed: Evan

Approved: Paul Li

Date : 2016-1-16

THESE DRAWINGS AND SPECIFICATIONS ARE THE PROPERTY OF TAG TECHNOLOGY CO., LTD. AND SHALL NOT BE REPRODUCED OR USED AS THE BASIS FOR THE MANUFACTURE OR SELL OF APPARATUS OR DEVICES WITHOUT PERMISSION.



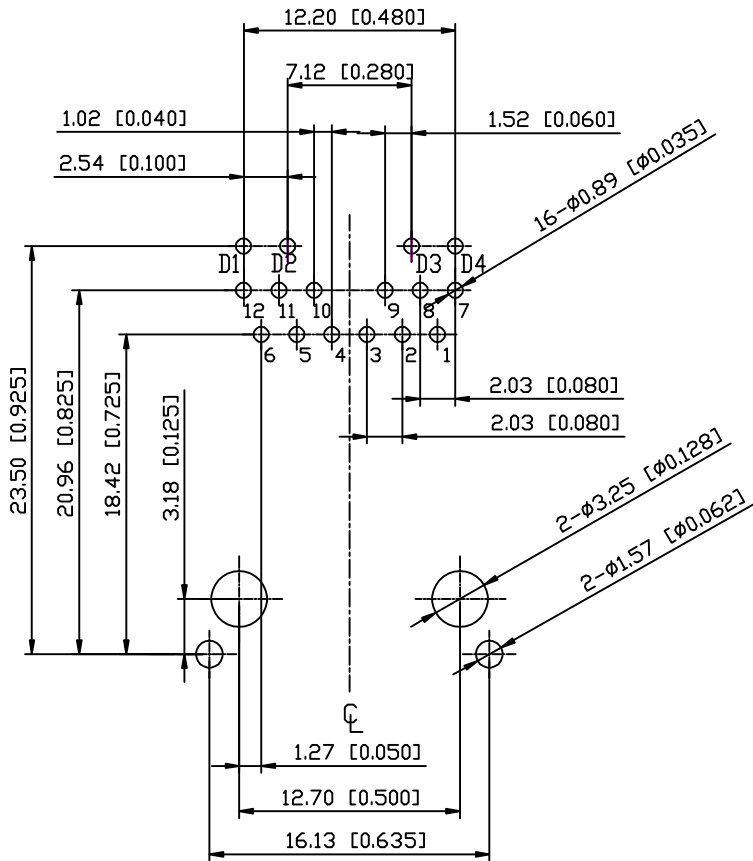
DESCRIPTION:
2.5G Base-T RJ45

UNIT mm[inch] USED ON

SHEET 1 OF 3 REV. A

REV.	CHANGGE DESCRIPTION	DATE
A	New Issue	2016-1-16

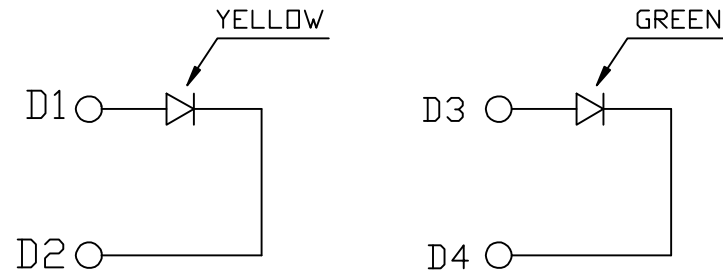
2. PCB LAYOUT :



SUGGESTED PCB LAYOUT
TOP VIEW

DIMENSIONAL TOLERANCE: .XX ±0.08[0.003]

3. LED CONFIGURATION :



EKO Tech Co., Ltd.

A4
SIZE

TAG PART NO.:
T04-011-F03-012R

VENDOR PART NO.:

Drawn: Rita

Designed: Evan

Approved: Paul Li

Date : 2016-1-16

THESE DRAWINGS AND SPECIFICATIONS ARE THE PROPERTY OF TAG TECHNOLOGY CO., LTD. AND SHALL NOT BE REPRODUCED OR USED AS THE BASIS FOR THE MANUFACTURE OR SELL OF APPARATUS OR DEVICES WITHOUT PERMISSION.



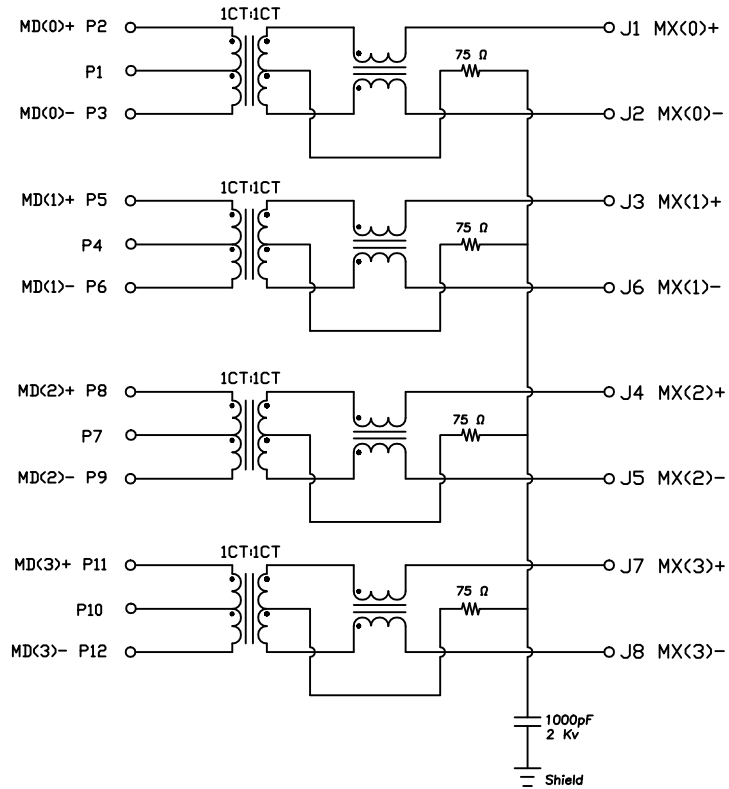
DESCRIPTION:
2.5G Base-T RJ45

UNIT	mm	USED ON	
SHEET	2	OF	3
REV.	A		

4. SCHEMATIC:

CONNECTOR SOLDER SIDE

RJ45 CONTACT SIDE



T04-011-F03-012R

PRODUCT SERIES

LED COLOR OPTION

LED POLARITY

CIRCUIT TYPE
BCDRE 2.5G Mbps

TERMINAL CONTACT AREAR PLATING CODE
2: Au 6u'

MECHANIAL SERIES

REV.	CHANGGE DESCRIPTION	DATE
A	New Issue	2016-1-16

5. ELECTRICAL CHARACTERISTICS :

TEST NOTES:(25°±5°C)

- TR:(100KHz,0.1V);
PINS:(P2,P3):(J1,J2)=1:1±3%;(P5,P6):(J3,J6)=1:1±3%;
PINS:(P8,P9):(J4,J5)=1:1±3%;(P11,P12):(J7,J8)=1:1±3%.
- LX:(100KHz,100mV,11mA, DC Bias)
PINS:(P2,P3),(P5,P6),(P8,P9),(P11,P12)=200uH MINIMUM
- DCR:
PINS:(J1,J2),(J3,J6),(J4,J5),(J7,J8)=1.2Ω MAXIMUM
- HIPOT:
PINS(P2,P3)TO(J1,J2),(P5,P6)TO(J3,J6)=1500VAC FOR 60 SECONDS
PINS(P8,P9)TO(J4,J5),(P11,P12)TO(J7,J8)=1500VAC FOR 60 SECONDS
- INSERTION LOSS:
-1.0dB Max AT 1MHz TO 100MHz
-1.5dB Max AT 100MHz TO 125MHz
-2.5dB Max AT 125MHz TO 250MHz
- RETURN LOSS:
-16dB Min AT 1MHz TO 40MHz
-10dB Min AT 40MHz TO 100MHz
-6dB Min AT 100MHz TO 125MHz
- Cross Talk:
-30dB Min AT 1MHz TO 100MHz
-25dB Min AT 100MHz TO 125MHz
- 1A CURRENT CAPABILITY.
- OPERATING TEMPERATURE: -40°C TO +85°C

EKO Tech Co., Ltd.

A4
SIZE

TAG PART NO.:

T04-011-F03-012R

VENDOR PART NO.:

Drawn: Rita

Designed: Evan

THESE DRAWINGS AND SPECIFICATIONS ARE THE PROPERTY OF TAG TECHNOLOGY CO., LTD. AND SHALL NOT BE REPRODUCED OR USED AS THE BASIS FOR THE MANUFACTURE OR SELL OF APPARATUS OR DEVICES WITHOUT PERMISSION.



DESCRIPTION:

2.5G Base-T RJ45

UNIT mm USED ON

SHEET 3 OF 3

REV. A

Approved: Paul Li

Date : 2016-1-16